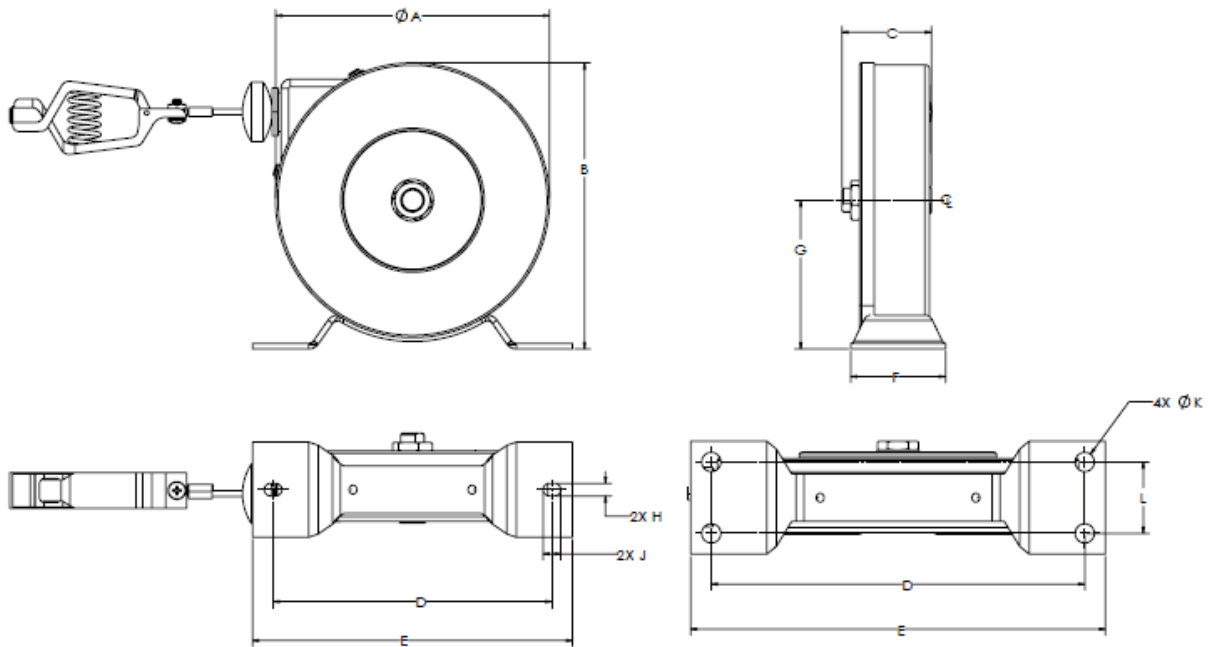


ROTA-REEL[®] STAINLESS STEEL STATIC GROUNDING REEL

PART NUMBER	200-20R-ST & 700-50R-ST
SPEC NUMBER	198685 & 198686 (SST cables) or 198700 & 198701 (Hytrell cables)
DESCRIPTION	ROTA-REEL[®]
CABLE TYPE	.093" 7 X 7 304 STAINLESS STEEL MEETS MIL-DTL-83420 (SUPERCEDES MIL-W-83420) OR .125" YELLOW HYTREL COATED SST
CABLE LENGTH	20' & 50'
TERMINATION	STAINLESS STEEL 50A- MUELLER 21A JAW CLIP
HOUSING	UNPAINTED 304 STAINLESS STEEL
LIFE CYCLE	TESTED TO 5000 CYCLES



MODEL	A	B	C	D	E	F	G	H	J	K	L
700-50R-ST	7.84	8	2.13	7.88	8.75	2.38	4.19	-	-	0.41	1.5
200-20R-ST	5.78	6.03	1.89	5.88	6.75	2	3.13	0.27	0.38	-	-

NOTE: Grounding & Bonding during fuel handling operations can, at best, only prevent external electrical discharge in the presence of fuel vapor. It does not remove bulk charges from the fuel and cannot prevent internal explosions. To minimize the risk, the conductivity of the fuel should be increased.