



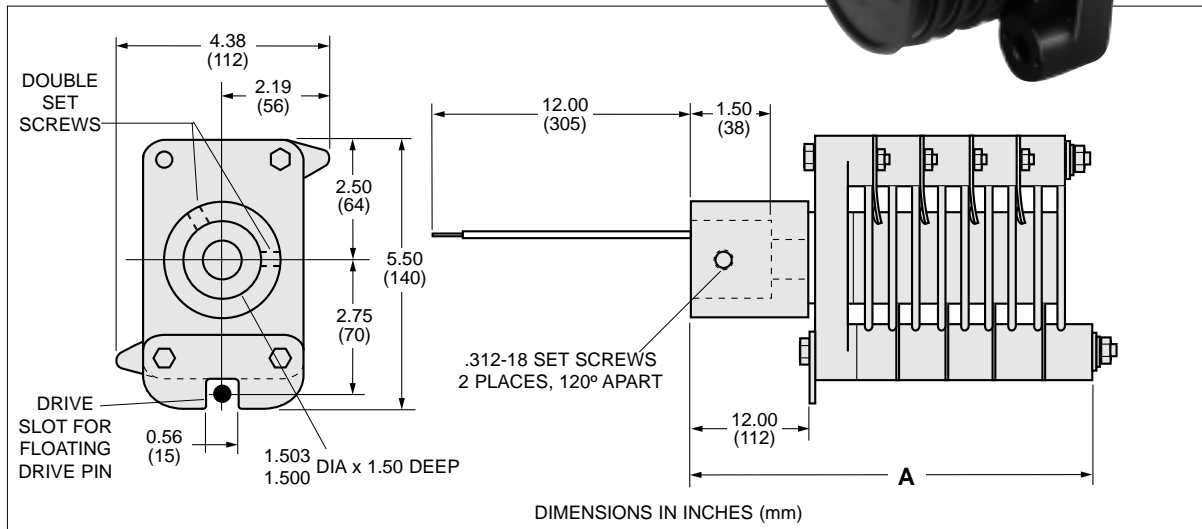
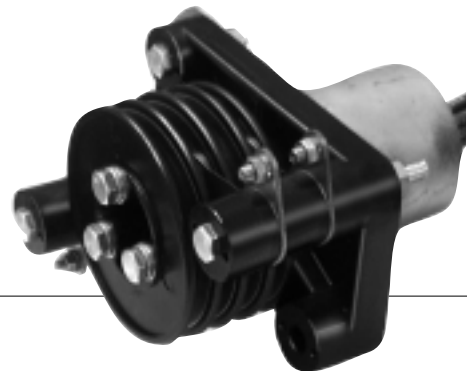
# COMPACT 30 & 55 SLIP RINGS

**30 or 55 Ampere**

**600 Volt**

**1.5"(38mm) Bore**

- **FRAME:** Nylon with phenolic bearing surfaces. 30 Amp units self-supporting up to 10 poles. 55 Amp units self-supporting up to 4 poles.
- **OUTBOARD SUPPORT:** For 12 or more poles (30 Amp) or 6 or more poles (55 Amp), an outboard support and porous bronze bushing are added to maintain brush alignment.
- **DRIVE COLLAR:** Zinc plated steel with double set screws for secure mounting at any attitude.
- **ENCLOSURES:** Available on applications to NEMA 3 standards. See opposite side for details.
- **SPEED:** Nominal 40 rpm.
- **INSULATORS:** Polyphenylene Oxide (P.P.O.).
- **RINGS:** Copper alloy wafers provide generous contact area (5/8"(16) wide) in minimum space.
- **BRUSHES:** Copper graphite buttons on copper shunt arms for maximum conductivity.
- **LEAD WIRES:** Standard lead wires 12" (305) long.



## 30 AMP\* COMPACT SLIP-RINGS

Model Number	Number Poles	Assembled Length (A) in. (mm)	AWG Lead*
CR030-02	2	4.88 (124)	#12
CR030-04	4	5.88 (150)	#12
CR030-06	6	6.63 (169)	#12
CR030-08	8	7.38 (188)	#12
CR030-10	10	8.13 (207)	#12
CR030-12	12	9.50 (242)	#12
CR030-14	14	10.38 (264)	#16
CR030-16	16	11.13 (283)	#16
CR030-18	18	11.88 (302)	#16
CR030-20	20	12.75 (324)	#16

## 55 AMP\* COMPACT SLIP-RINGS

Model Number	Number Poles	Assembled Length (A) in. (mm)	AWG Lead*
CR055-02	2	5.88 (150)	#12
CR055-04	4	7.38 (188)	#12
CR055-06	6	9.50 (242)	#12

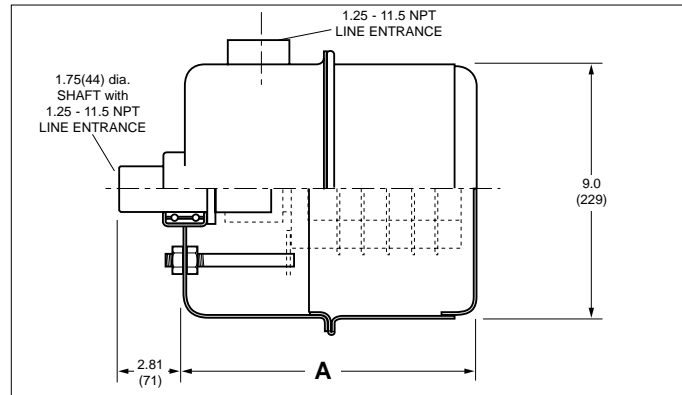
\* Unless otherwise specified, standard assemblies are supplied with lead wires as indicated, derated per lead wire limits and per number of poles (see opposite side).

Slip Rings with ratings to 700 Amps and 15,000 volts also available. Contact Gleason.

# SLIP-RINGS IN ENCLOSURES

## COMPACT Slip-Ring plus Enclosure

- **WEATHERTIGHT HOUSING:** Easy to access Gleason Slip-Ring Enclosures are watertight and dust-tight. Sealed design keeps all but the most minute particles away from the working slip-ring.
- **RUGGED CONSTRUCTION:** All enclosures are manufactured from medium gauge steel and are custom fit to each slip-ring size. Main shafts are mounted to enclosure on double ball bearings (for support of slip-ring assembly and enclosure only).
- **WEATHERPROOF FINISH:** Gleason Slip-Ring Enclosures feature a baked-on polyester finish for maximum durability in harsh condition. Finish exceeds even zinc plating. Custom colors and finishes are available—contact Gleason Reel for details.
- **HEATERS:** For outdoor applications where machinery is not operating for extended periods of time or where low temperatures are common, we recommend the installation of a strip heater. Condensation can build up during shut-down periods causing the slip-ring assembly to require frequent service. The strip heater eliminates this condensation on a continuous basis increasing the service life of your Gleason Reel Slip-Ring assembly.



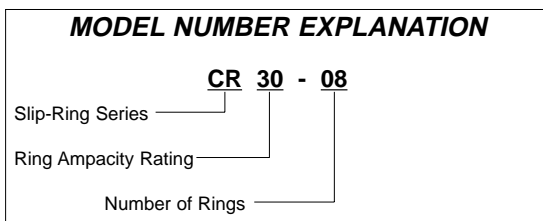
Model Number	Number Poles	Amps*	Assembled Length (A)	
			in.	(mm)
ECR30-02	2	30	8.88	(226)
ECR30-04	4	30	8.88	(226)
ECR30-06	6	30	8.88	(226)
ECR30-08	8	30	10.63	(270)
ECR30-10	10	30	10.63	(270)
ECR30-12	12	30	12.38	(315)
ECR30-14	14	30	12.38	(315)

Model Number	Number Poles	Amps*	Assembled Length (A)	
			in.	(mm)
ECR30-16	16	30	14.88	(378)
ECR30-18	18	30	14.88	(378)
ECR30-20	20	30	14.88	(378)
ECR55-02	2	55	8.88	(226)
ECR55-04	4	55	10.63	(270)
ECR55-06	6	55	12.38	(315)

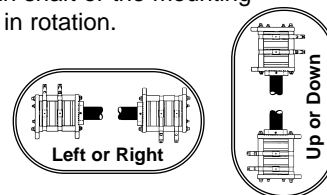
\* Unless otherwise specified, standard assemblies are supplied with lead wires as indicated, derated per lead wire limits and per number of poles (see below).

Ampacities are based on 3 pole 75°C rated wire at 30° ambient (per N.E.C.). **Ampacity must be derated when more than 3 poles are used**, as follows:

- 4 to 6 poles: 80% of rating shown.
- 7 to 24 poles: 70% of rating shown.
- 25 to 36 poles: 60% of rating shown.



Gleason Slip-Rings may be mounted in virtually any position. Used in Gleason Reels, they are mounted horizontally. Vertical applications include rotating signs and amusement rides. Whichever configuration you choose, it is possible for either the main shaft or the mounting surface to be in rotation.



**Please note:** Bearing supports on all slip-rings intended for support of slip-ring **only**.



### Brake Products, Inc.

16751 Hilltop Park Place  
Chagrin Falls, OH 44023  
Phone: (888) 861-8777 • Fax: (440) 543-7963